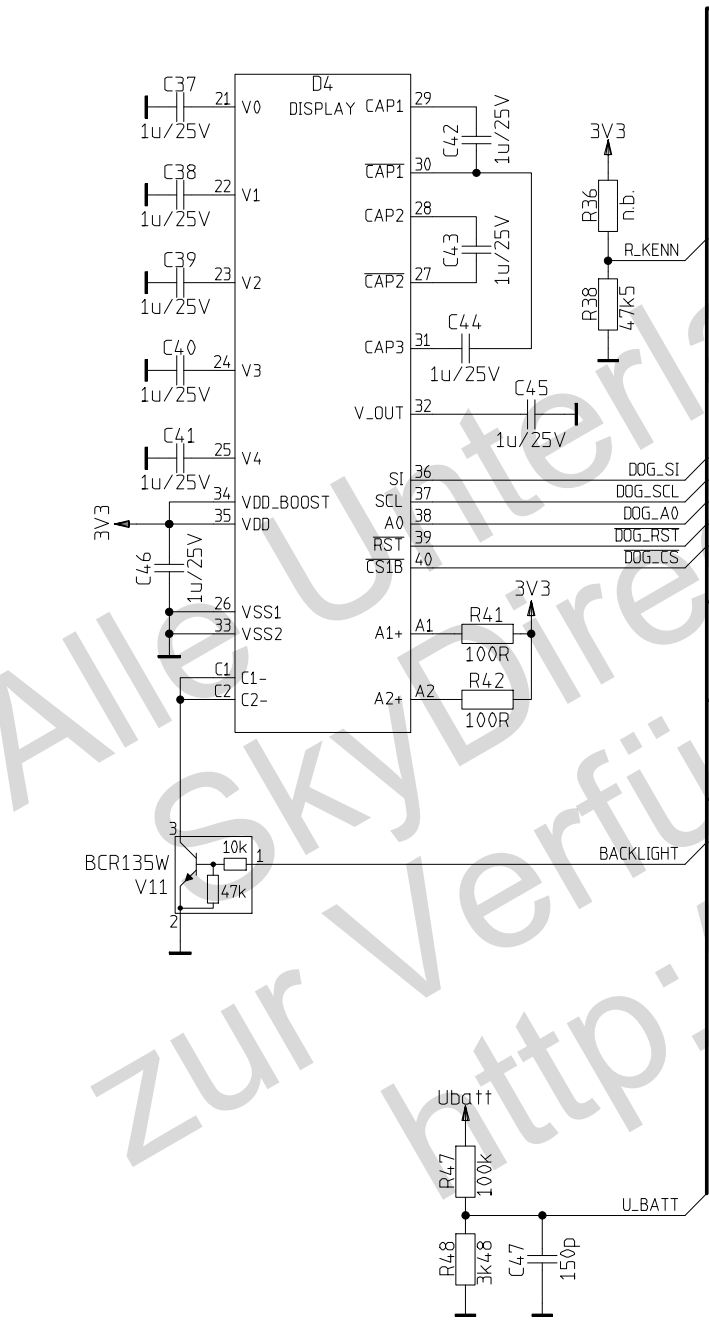
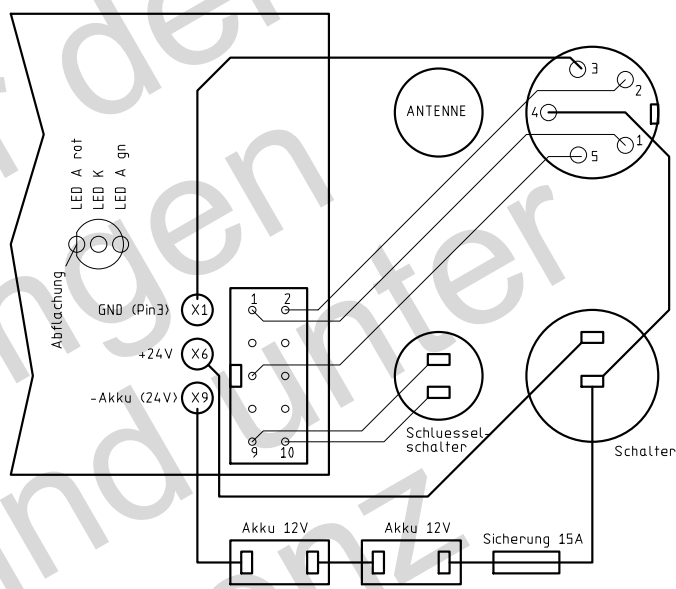
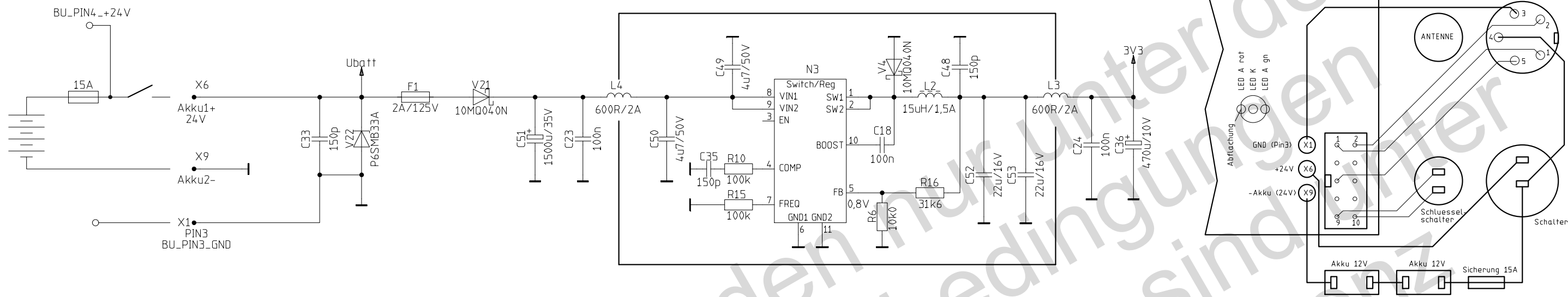


Drawn	10.01.14	Boehm	LOADED PRINTED CIRCUIT BOARD			
Checked						
Sign.						
Modifik.						
			Drawing - No.	Index	Chg-No.	Page
			MC_PHIL_ARF	00		01
All rights reserved see DIN 34/ISO 16016					from 02	from
EDV No.:	MC_PHIL_ARF	Date:	24.02.2014	12:24:12		



Buskabel 1:1 belegt
Systembusbelegung

- Pin1 - CAN_L
 - Pin2 - CAN_H
 - Pin3 - GND
 - Pin4 - +UB
 - Pin5 - Modul IN oder OUT
- B-ST = Stecker - EINGANG
B-BU = Buchse - AUSGANG

Date	Name	LOADED PRINTED CIRCUIT BOARD			
Drawn	10.01.14	Boehm			
Checked					
Sign.					
Modifik.					
Drawing - No.		Index	Chg-No.	Page	HierPage
MC_PHII_ARF		00		02	from 02 from
All rights reserved see DIN 34/ISO 16016					
EDV No.:	MC_PHII_ARF	Date:	24.02.2014	12:24:12	