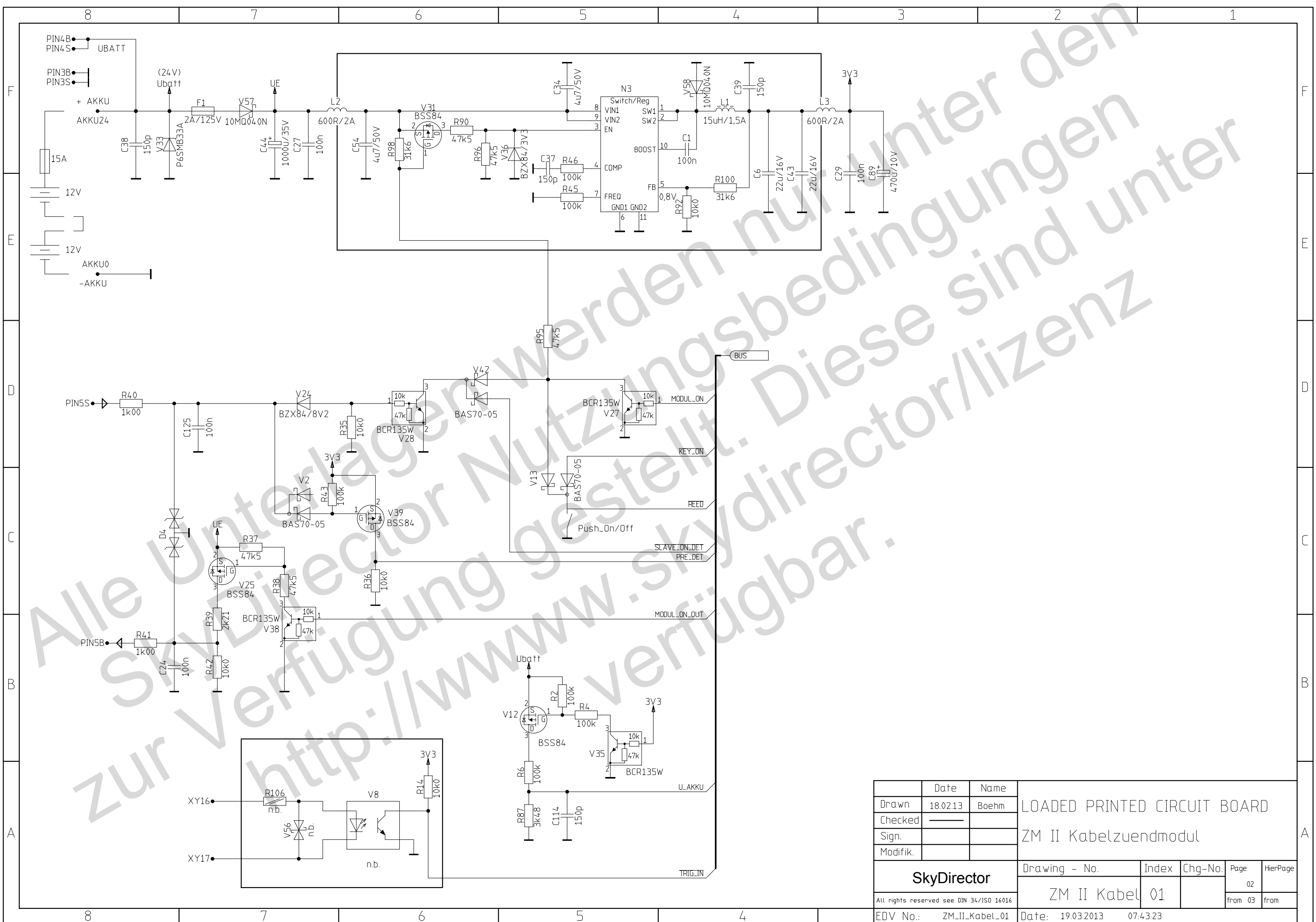
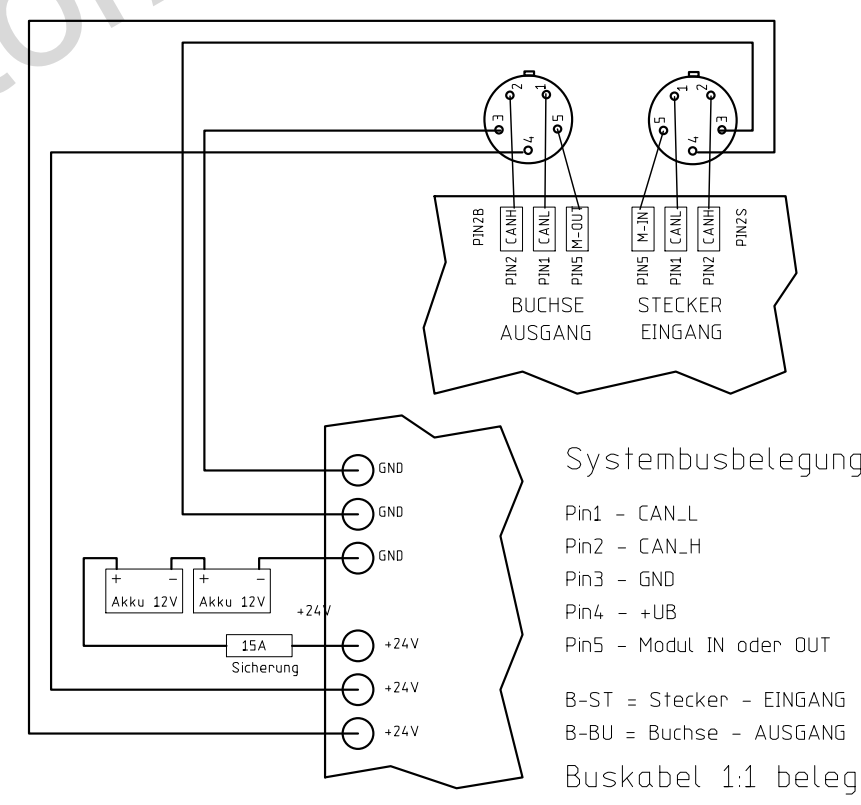
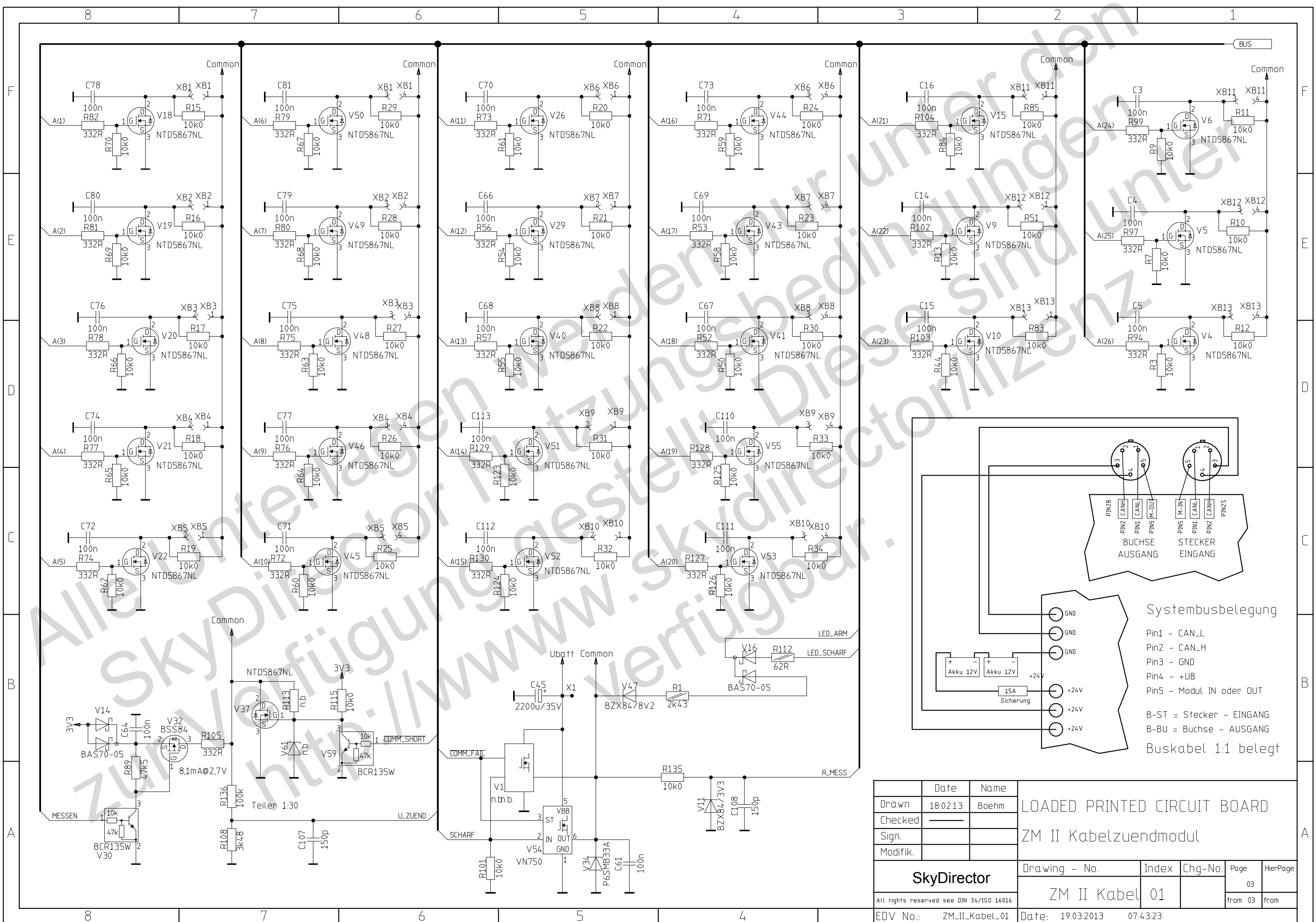


| | Date | Name | | | | | |
|--|----------------|-------|------------------------------|----------|---------|------|----------|
| Drawn | 18.02.13 | Boehm | LOADED PRINTED CIRCUIT BOARD | | | | |
| Checked | | | ZM II Kabelzuendmodul | | | | |
| Sign. | | | | | | | |
| Modifik. | | | | | | | |
| SkyDirector | | | Drawing - No. | Index | Chg-No. | Page | HierPage |
| | | | ZM II Kabel | 01 | | 01 | |
| All rights reserved see DIN 34/ISO 16016 | | | from 03 | | from | | |
| EDV No.: | ZM.II-Kabel_01 | Date: | 19.03.2013 | 07:43:23 | | | |



| | | | | | | | |
|--|----------------|-------|------------------------------|----------|---------|---------|----------|
| | Date | Name | LOADED PRINTED CIRCUIT BOARD | | | | |
| Drawn | 18.02.13 | Boehm | ZM II Kabelzuendmodul | | | | |
| Checked | | | | | | | |
| Sign. | | | | | | | |
| Modifik. | | | | | | | |
| SkyDirector | | | Drawing - No. | Index | Chg-No. | Page | HierPage |
| | | | ZM II Kabel | 01 | | 02 | |
| All rights reserved see DIN 34/ISO 16016 | | | | | | from 03 | from |
| EDV No.: | ZM.II.Kabel_01 | Date: | 19.03.2013 | 07:43:23 | | | |



| | | | | | | |
|--|----------------|-------|------------------------------|----------|---------|------|
| | Date | Name | LOADED PRINTED CIRCUIT BOARD | | | |
| Drawn | 18.02.13 | Boehm | ZM II Kabelzuendmodul | | | |
| Checked | | | | | | |
| Sign. | | | | | | |
| Modifik. | | | | | | |
| SkyDirector | | | Drawing - No. | Index | Chg-No. | Page |
| | | | ZM II Kabel 01 | | | 03 |
| All rights reserved see DIN 34/ISO 16016 | | | from 03 | from | | |
| EDV No.: | ZM.II-Kabel_01 | Date: | 19.03.2013 | 07:43:23 | | |