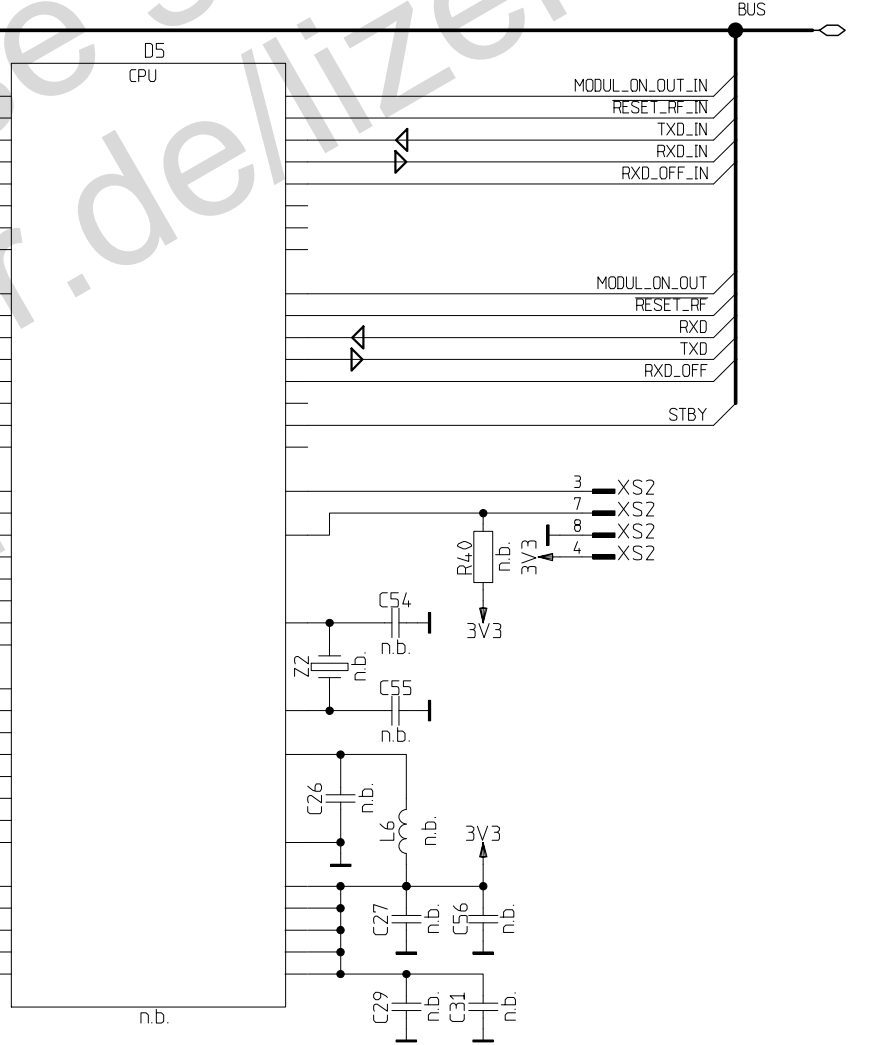
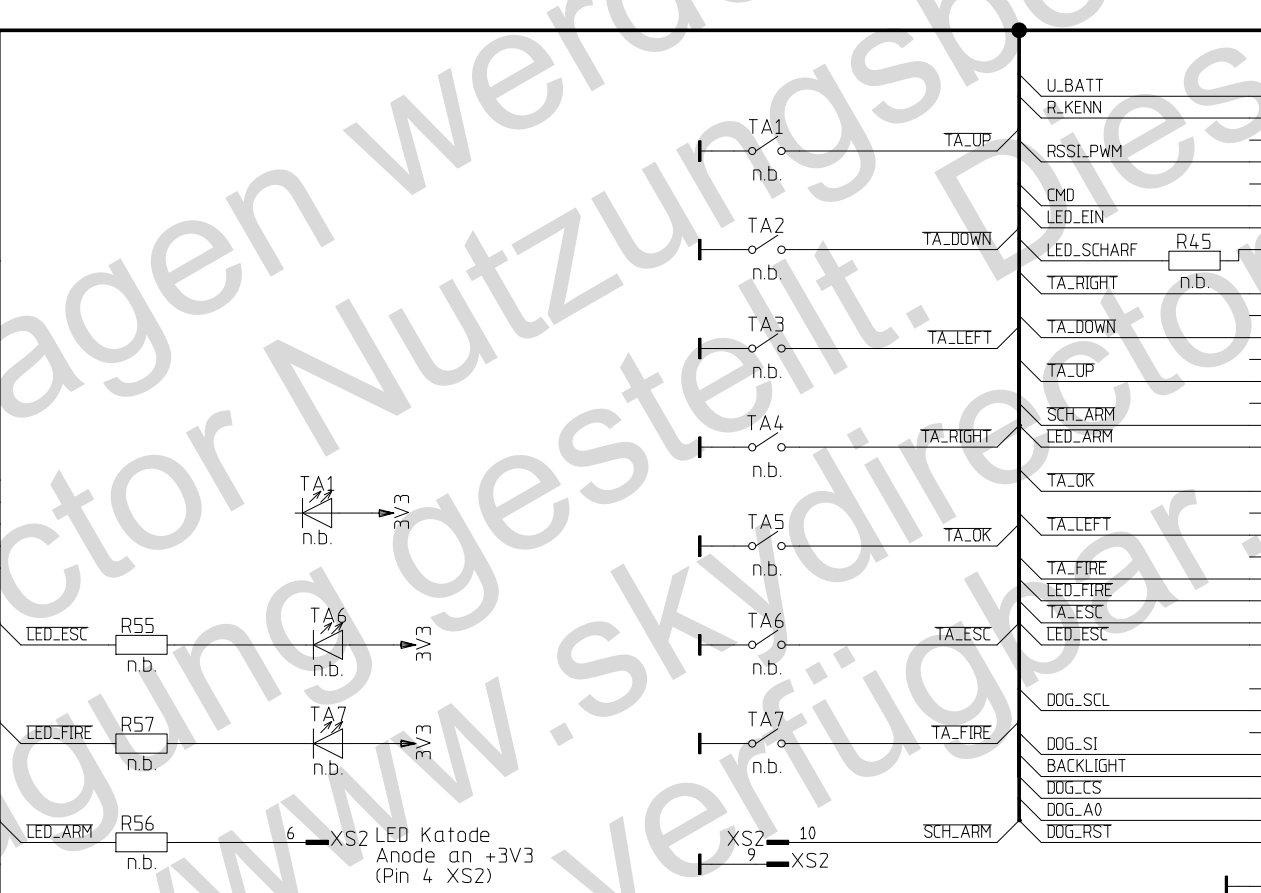
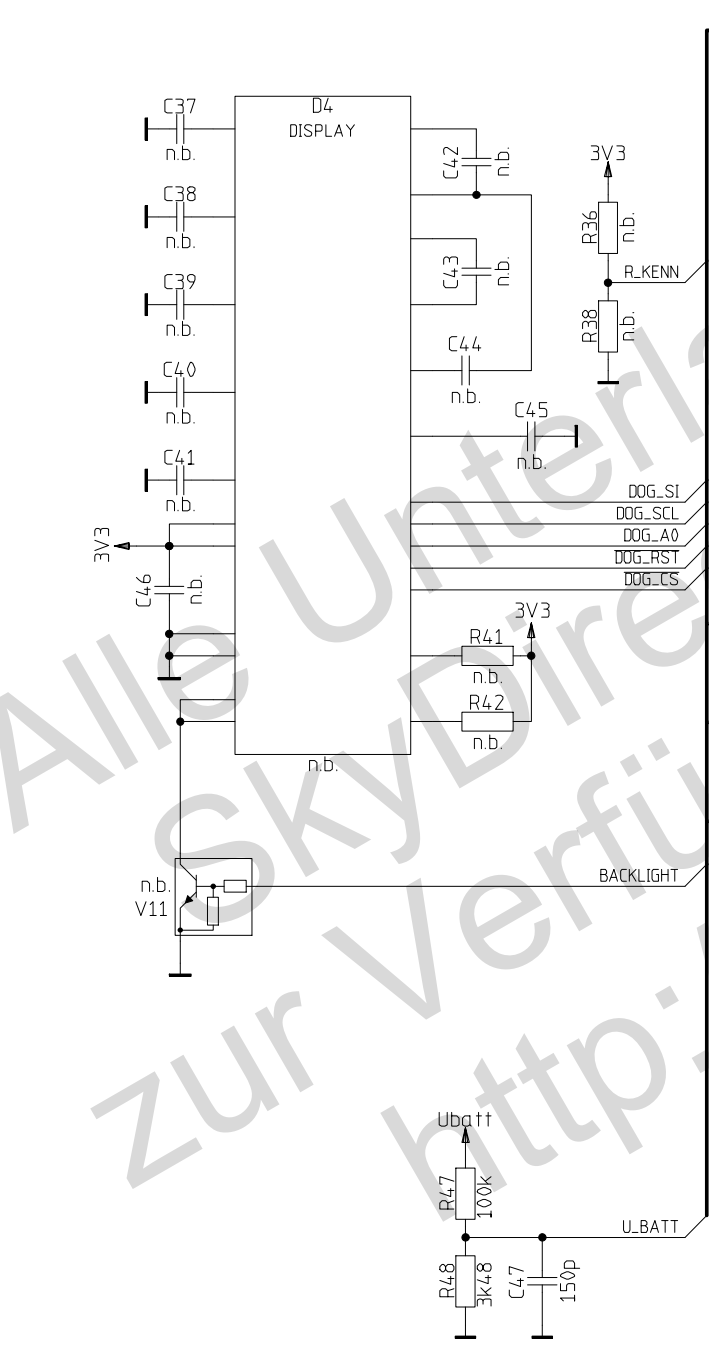
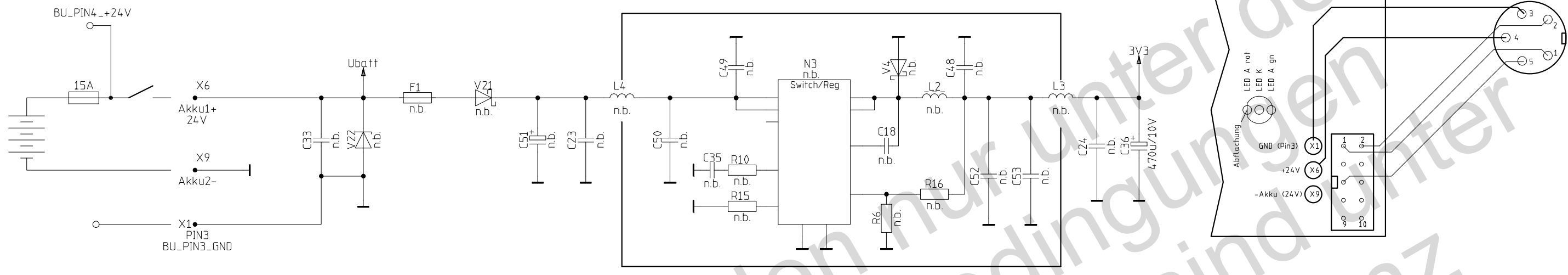


	Date	Name	LOADED PRINTED CIRCUIT BOARD			
Drawn	10.01.14	Boehm				
Checked						
Sign.						
Modifik.						
			Drawing - No.	Index	Chg-No.	Page
			PC_PHIL_ARF	00		01
All rights reserved see DIN 34/ISO 16016						from 02 from
EDV No.:	PC_PHIL_ARF	Date:	24.02.2014	13:47:08		



Buskabel 1:1 belegt
Systembusbelegung

- Pin1 - CAN_L
 - Pin2 - CAN_H
 - Pin3 - GND
 - Pin4 - +UB
 - Pin5 - Modul IN oder OUT
- B-ST = Stecker - EINGANG
B-BU = Buchse - AUSGANG

Date	Name				
Drawn 10.01.14	Boehm	LOADED PRINTED CIRCUIT BOARD			
Checked					
Sign.					
Modifik.					
		Drawing - No.	Index	Chg-No.	Page
		PC_PHIL_ARF	00		02
		All rights reserved see DIN 34/ISO 16016		from 02	from
EDV No.:	PC_PHIL_ARF	Date:	24.02.2014	13:47:08	